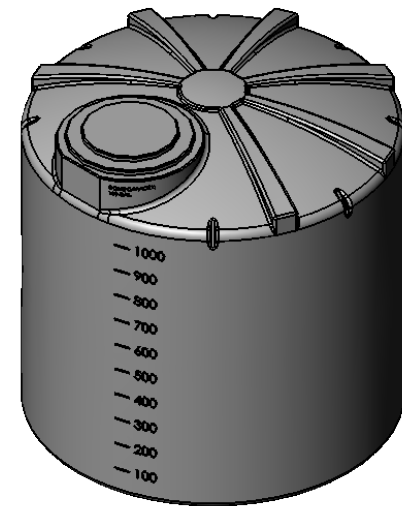
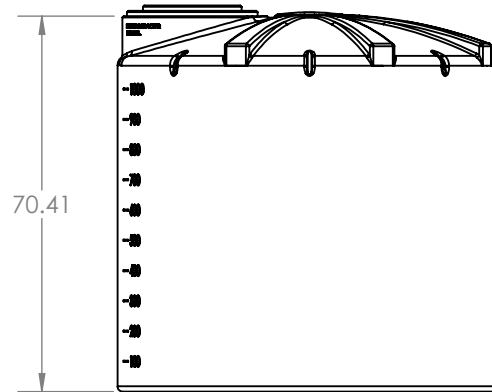
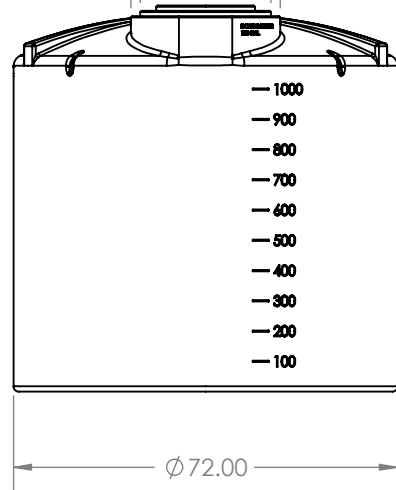


Small Dome  
Diameter: 12.8"  
Height: 0.25"



**PROPRIETARY AND CONFIDENTIAL**  
THE INFORMATION CONTAINED IN THIS DRAWING IS THE SOLE PROPERTY OF ROTATIONAL MOLDING INC. ANY REPRODUCTION IN PART OR AS A WHOLE WITHOUT THE WRITTEN PERMISSION OF ROTATIONAL MOLDING INC IS PROHIBITED.

UNLESS OTHERWISE SPECIFIED:		NAME	DATE
ALL DIMENSIONS SHOWN ARE OUTSIDE PART DIMENSIONS IN INCHES AND VARY BY THE STANDARD ROTATIONAL MOLDING TOLERANCE OF ±3%	DRAWN	Brendan H.	8/10/2017
	CHECKED		
	ENG APPR.		
	MFG APPR.		
	Q.A.		
INTERPRET GEOMETRIC TOLERANCING PER:	COMMENTS:		
MATERIAL	DATE LAST SAVED: 8/10/2017		
FINISH			
DO NOT SCALE DRAWING			

**CHEM-TAINER**

TITLE:  
72 in. Diameter Tank - Ribbed Dome  
1100 Gallon

SIZE	DWG. NO.	REV
<b>A</b>	RMI - 721100	<b>1</b>
SCALE: 1:36		WEIGHT:
		SHEET 1 OF 1